

⚡ Specifications

Nominal Voltage(V)

12V

Nominal Capacity

10 hour rate	(20A	to	10.80V)	200Ah
5 hour rate	(34A	to	10.20V)	170Ah
1 hour rate	(120A	to	9.60V)	120Ah
1 C	(200A	to	9.60V)	126.7Ah

Weight

Approx. 63kg(138.6Lbs.)

Internal Resistance (at 1KHz)

Approx. 2.5 mΩ

Maximum Discharge Current for

5 seconds: 1600A

Charging Methods at 25°C(77°F)

Cycle use:
 Charging Voltage 14.4 to 15.0V
 Coefficient -5.0mV/°C/cell
 Maximum Charging Current : 60A
 Standby use:
 Float Charging Voltage 13.5 to 13.8V
 Coefficient -3.0mV/°C/cell

Operating Temperature Range

Charge	-15°C(5°F)	to	40°C(104°F)
Discharge	-15°C(5°F)	to	50°C(122°F)
Storage	-15°C(5°F)	to	40°C(104°F)

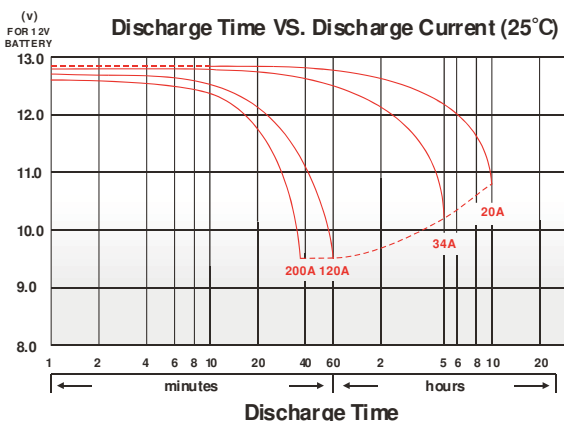
Charge Retention (shelf life) at 20°C(68°F)

1 month	98%
3 month	94%
6 month	85%

Case Material

ABS UL94 HB
 Option: Flammability resistance of (UL94 V-0)

Discharge Time VS. Discharge Current (25°C)



⚡ Dimensions

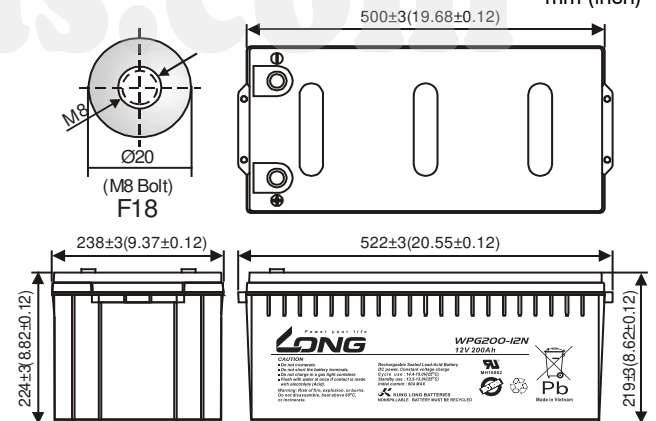
Length (L)	522±3 (20.55±0.12)
Width (W)	238±3 (9.37±0.12)
Height (H)	219±3 (8.62±0.12)
Overall Height (HT)	224±3 (8.82±0.12)

Terminal F18

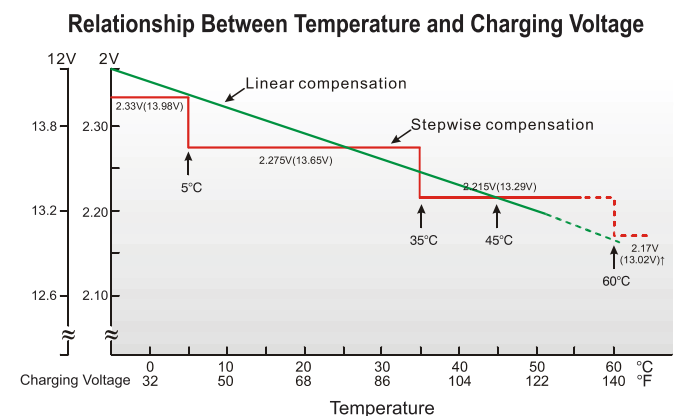
Description of torque value of hard ware for the terminals:

Recommended torque value	M8: 12 N-m (122 kgf-cm)
Maximum allowable torque value	M8: 20 N-m (204 kgf-cm)

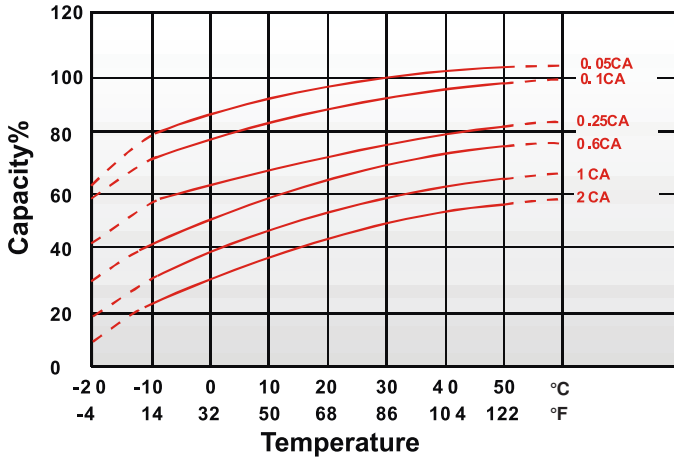
mm (inch)



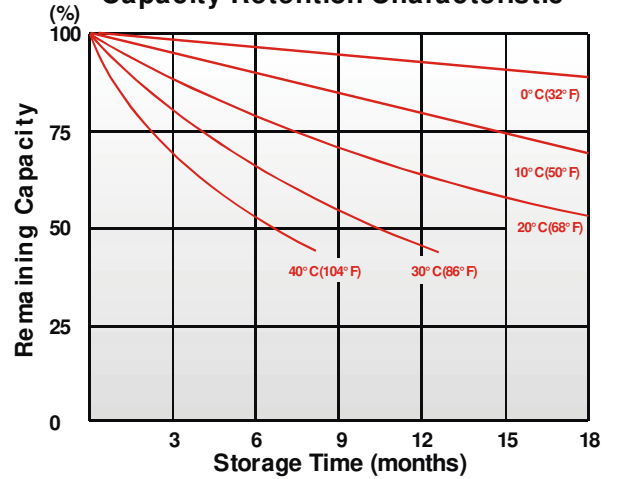
Relationship Between Temperature and Charging Voltage



Effect of Temperature on Capacity 25°C (77°F)

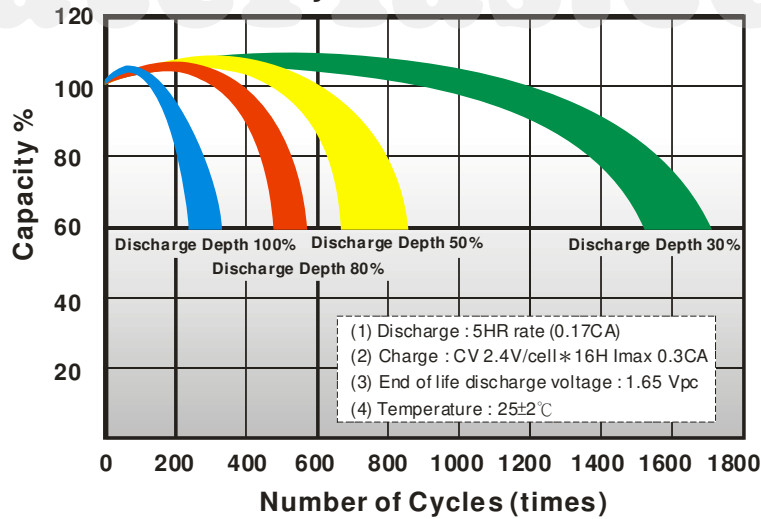


Capacity Retention Characteristic



baterias.com

Cycle Service Life



020321-1E