



ES50-12

SPECIFICATIONS

Nominal Voltage (V) 12V

Nominal Capacity

20 hour rate (2.5A to 10.50V)	50Ah
10 hour rate (4.75A to 10.50V)	47.5Ah
5 hour rate (8.5A to 10.20V)	42.5Ah
1C (50A to 9.60V)	31.67Ah
3C (150A to 9.60V)	20Ah

Weight Approx. 33.20Lbs. (15.0kg)

Internal Resistance (at 1KHz) Approx. 5 mΩ

Maximum Discharge Current for 5 seconds : 600A

Operating Temperature Range

Charge	-15°C (5°F) to 40°C (104°F)
Discharge	-15°C (5°F) to 50°C (122°F)
Storage	-15°C (5°F) to 40°C (104°F)

Charge Retention (shelf life) at 20°C (68°F)

1 month	98%
3 months	94%
6 months	85%

Charging Methods at 25°C (77°F)

Cycle Use : Charging Voltage 14.4 to 15.0V
Coefficient -5.0mv / °C / cell
Maximum Charging Current : 15A

Standby Use : Float Charging Voltage 13.50 to 13.80V
Coefficient -3.0mv / °C / cell

Case Material : ABS
(Option : UL94 HB Flame Retardant)

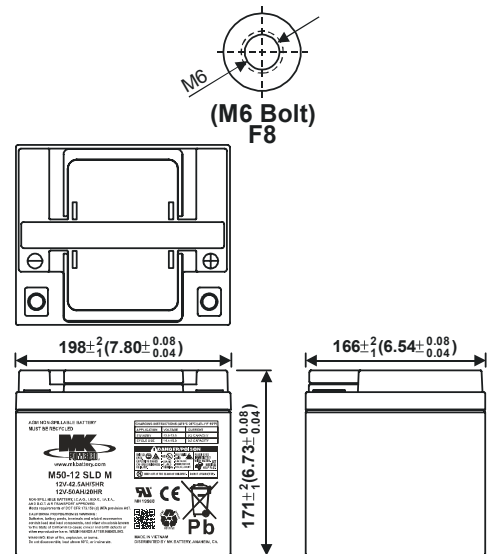
Terminal : F8

Description of torque value of hardware for the terminals:
Recommended torque value M6: 5.39 N-m (55kg-cm)
Maximum allowable torque value M6: 8.82 N-m (90kg-cm)

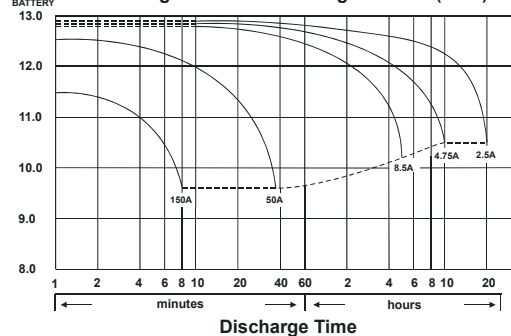
Maintenance-Free Rechargeable Sealed Lead-Acid Battery



DIMENSIONS



(V) FOR 12V BATTERY Discharge Time VS. Discharge Current (25°C)



MK Battery

1631 South Sinclair Street • Anaheim, California 92806

Toll Free: 800-372-9253 • Fax: 714-937-0818 • E-mail: sales@mkbattery.com

