



# M12260 SLD M

## SPECIFICATIONS

**Nominal Voltage (V)** 12V

### Nominal Capacity

20 hour rate ( 1.3A to 10.50V )	26Ah
10 hour rate ( 2.47A to 10.50V )	24.7Ah
5 hour rate ( 4.42A to 10.20V )	22.1Ah
1C ( 26A to 9.60V )	14.73Ah
3C ( 78A to 9.60V )	10.4Ah

**Weight** Approx. 20.46Lbs. (9.3kg)

**Internal Resistance (at 1KHz)** Approx. 11 mΩ

**Maximum Discharge Current for 5 seconds :** 390A

### Operating Temperature Range

Charge	-15°C ( 5°F ) to 40°C (104°F )
Discharge	-15°C ( 5°F ) to 50°C (122°F )
Storage	-15°C ( 5°F ) to 40°C (104°F )

### Charge Retention (shelf life) at 20°C ( 68°F )

1 month	92%
3 months	90%
6 months	80%

### Charging Methods at 25°C ( 77°F )

**Cycle Use :** Charging Voltage 14.4 to 15.0V  
 Maximum Charging Current : 7.8A  
 Coefficient -5.0mv / °C / cell

**Standby Use :** Float Charging Voltage 13.50 to 13.80V  
 Coefficient -3.0mv / °C / cell

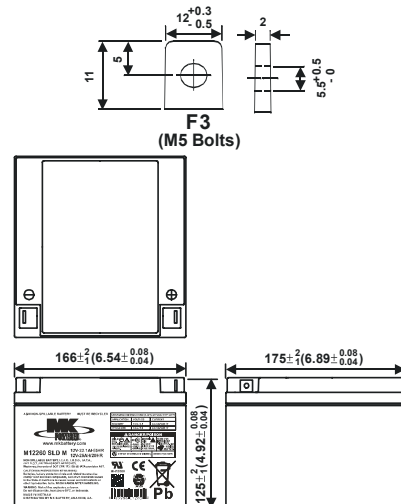
**Case Material :** ABS  
 (Option : UL94 HB Flame Retardant Case Material)

**Terminal :** F3

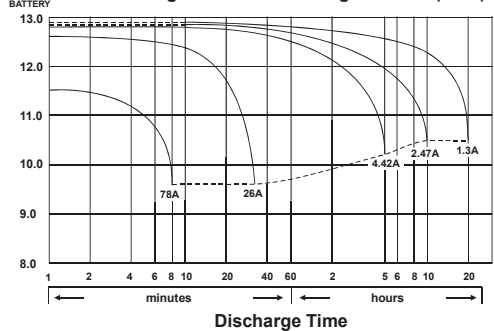
## Maintenance-Free Rechargeable Sealed Lead-Acid Battery



## DIMENSIONS



(V) FOR 12V BATTERY Discharge Time VS. Discharge Current (25°C)



## MK Battery

1631 South Sinclair Street • Anaheim, California 92806

Toll Free: 800-372-9253 • Fax: 714-937-0818 • E-mail: sales@mkbattery.com

