



# MU-1 SLD M

## SPECIFICATIONS

**Nominal Voltage (V)** 12V

### Nominal Capacity

20 hour rate ( 1.75A to 10.50V )	35Ah
10 hour rate ( 3.325A to 10.50V )	33.25Ah
5 hour rate ( 5.95A to 10.20V )	29.75Ah
1C ( 35A to 9.60V )	18.67Ah
3C ( 105A to 9.60V )	12.25Ah

**Weight** Approx. 23.1Lbs. (10.5kg)

**Internal Resistance (at 1KHz)** Approx. 10 mΩ

**Maximum Discharge Current for 5 seconds :** 525A

### Operating Temperature Range

Charge	-15°C ( 5°F ) to 40°C (104°F )
Discharge	-15°C ( 5°F ) to 50°C (122°F )
Storage	-15°C ( 5°F ) to 40°C (104°F )

### Charge Retention (shelf life) at 20°C ( 68°F )

1 month	92%
3 months	90%
6 months	80%

### Charging Methods at 25°C ( 77°F )

**Cycle Use :** Charging Voltage 14.4 to 15.0V  
Coefficient -5.0mv / °C / cell  
Maximum Charging Current : 10.5A

**Standby Use :** Float Charging Voltage 13.50 to 13.80V  
Coefficient -3.0mv / °C / cell

**Case Material :** ABS  
(Option : UL94 HB Flame Retardant Case Material)

**Terminal :** F4

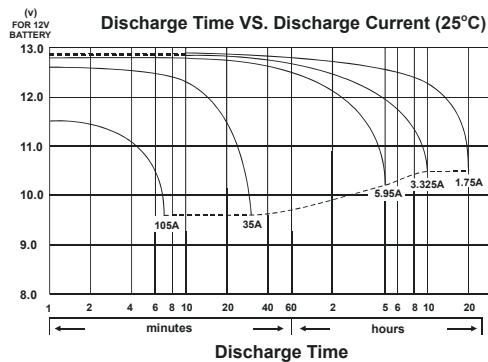
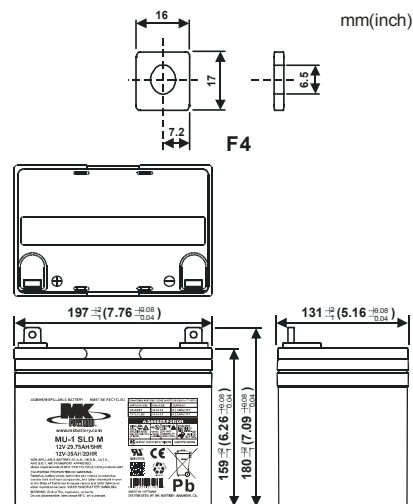
### Terminal Hardware Torque Value :

Recommended	5.39 Nm (55kg-cm)
Maximum Allowable	8.82 Nm (90kg-cm)

## Sealed Valve-Regulated Lead-Acid Battery



## DIMENSIONS



## MK Battery

1631 South Sinclair Street • Anaheim, California 92806

Toll Free: 800-372-9253 • Fax: 714-937-0818 • E-mail: sales@mkbattery.com

