



12LS-65

12V 65Ah

VdS G118008

Design lifetime 10 years



Q-Batteries Security Akku 12LS-65 is an AGM battery with VdS-approval. It is designed for stand-by applications such as burglar-systems or UPS-systems.

Application:

burglar-systems, UPS-systems,
fire-detecting-systems,
telecommunication-systems



Specification:

Voltage Per Unit	12 V		
Capacity	64,8 Ah (10 h) cell voltage 1.8V / cell		
Cells Per Unit	6		
Weight	ca. 21,2 kg +/- 3%		
Max. Discharge Current	650 A (5 sec.)		
Internal Resistance	ca. 6,0m Ω		
Operating Temperature Range	Discharge:	Charge:	Storage:
Normal	- 15°C – 50°C	-10°C – 50°C	- 20°C – 50°C
Operating Temperature Range	25°C \pm 5°C		
Self Discharge	Valve Regulated Lead Acid (VRLA) batteries can be stored for more than 6 months at 25°C. Self-discharge ratio less than 3% per month at 25°C. Please charge batteries before using.		

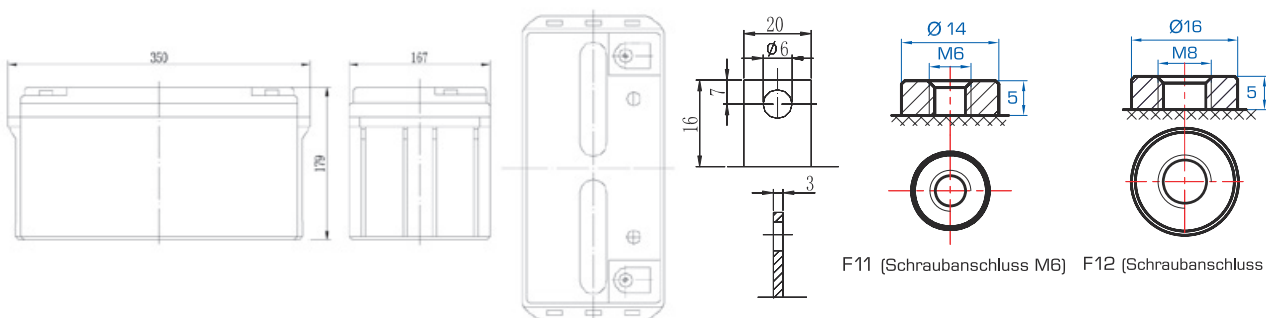
Terminal F4, F11, F12

Technology AGM, Absorbent glass mat technology

Container Material A.B.S. (UL94-HB)

Dimensions:

350 Length x 167 Width x 179 mm Height



F11 (Schraubanschluss M6) F12 (Schraubanschluss M8)

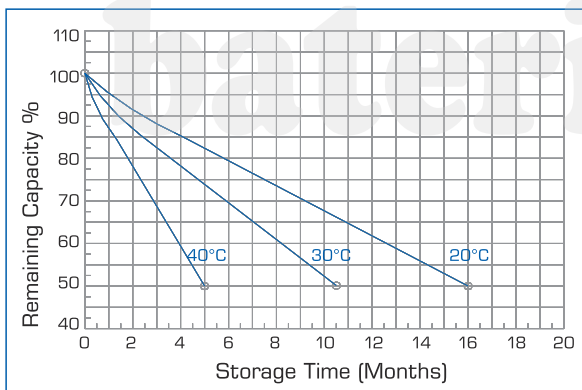
Constant current discharge characteristics: A (25°C)

FV/Time	10min	15min	30min	60min	2HR	3HR	4HR	5HR	8HR	10HR	20HR
9,60V	137	107	65	40,3	23,8	16,6	13,6	11,6	7,96	6,61	3,47
9,90V	132	105	63,7	39,7	23,6	16,5	13,5	11,5	7,91	6,58	3,47
10,2V	127	101	61,8	38,7	23,4	16,4	13,4	11,5	7,85	6,56	3,46
10,5V	121	97,4	60,3	37,9	23	16,3	13,3	11,4	7,8	6,5	3,44
10,8V	115	92,2	58	36,8	22,5	15,8	12,9	11	7,57	6,48	3,41

Constant current discharge characteristics: Watt (25°C)

FV/Time	10min	15min	30min	60min	2HR	3HR	4HR	5HR	8HR	10HR	20HR
9,60V	1474	1178	729	459	275	195	160	137	94,5	79,1	41,7
9,90V	1430	1149	715	453	273	194	159	136	94	78,8	41,6
10,2V	1371	1107	693	441	271	192	158	135	93,3	78,2	41,5
10,5V	1312	1069	676	432	267	191	157	134	92,7	77,6	41,2
10,8V	1238	1013	651	419	260	185	152	130	89,9	77,1	41

Storage characteristic:



Charging Method:

Recharge after use, at least every 6th month:

Cyclic charging voltage
14,5 to 14,9 V (25°C)

Float charging voltage (25°C)
13,6 to 13,8 V (25°C)

Maximum charging current
19,5A

Do not short circuit the battery.

Capacity Factors with different Temperature:

Battery Type		-20°C	-10°C	0°C	5°C	10°C	20°C	25°C	30°C	40°C	45°C
GEL Battery	6V & 12V	50%	70%	83%	85%	90%	98%	100%	102%	104%	105%
	2V	60%	75%	85%	88%	92%	99%	100%	103%	105%	106%
AGM Battery	6V & 12V	46%	66%	76%	83%	90%	98%	100%	103%	107%	109%
	2V	55%	70%	80%	85%	92%	99%	100%	104%	108%	110%