

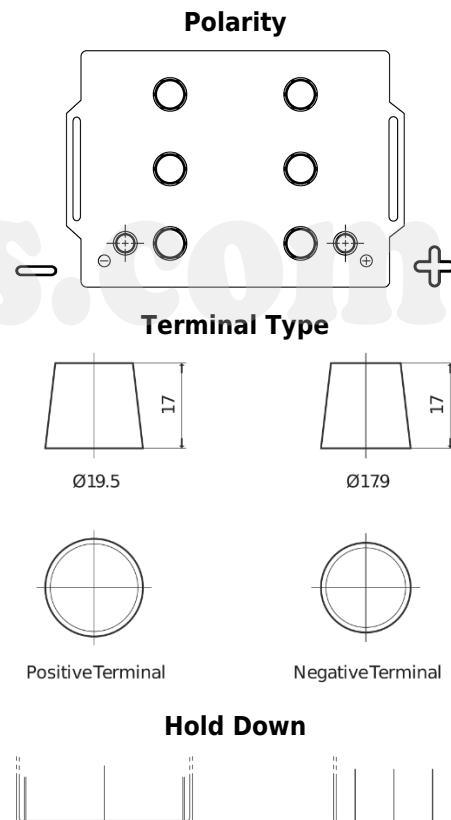
Product overview

Batteries for Trucks, Buses, Construction, Agriculture

StartPRO DG145A



Part number	DG145A
Technology	Flooded
EAN/GTIN	3661024025553
Voltage	12 V
Capacity	145 Ah
CCA	1000 A
Length	360 mm
Width	253 mm
Height	240 mm
Box size	F21
Polarity	ETN 6
Terminal Type	EN taper post
Hold Down	B0
Weights (subject of variation)	38.10 kg



Design, features and specifications are subject to change without notice. We disclaim any representation or warranty, express or implied, concerning the data or recommendations, and in no event shall be liable for any loss or damage claimed to have arisen as a result. Some products may not be available in your local market.