

⚡ Specifications

Nominal Voltage(V)

12V

Nominal Capacity

| | | | | |
|--------------|---------|----|---------|---------|
| 20 hour rate | (1.65A | to | 10.50V) | 33Ah |
| 10 hour rate | (3.135A | to | 10.50V) | 31.35Ah |
| 5 hour rate | (5.61A | to | 10.20V) | 28.05Ah |
| 1 C | (33A | to | 9.60V) | 18.7Ah |
| 3 C | (99A | to | 9.60V) | 13.2Ah |

Weight

Approx. 10.1kg(22.2Lbs.)

Internal Resistance (at 1KHz)

Approx. 6.5 mΩ

Maximum Discharge Current for

5 seconds: 495A

Charging Methods at 25°C(77°F)

| | |
|----------------------------|----------------|
| Cycle use: | |
| Charging Voltage | 14.4 to 15.0V |
| Coefficient | -5.0mV/°C/cell |
| Maximum Charging Current : | 9.9A |
| Standby use: | |
| Float Charging Voltage | 13.5 to 13.8V |
| Coefficient | -3.0mV/°C/cell |

Operating Temperature Range

| | | | |
|-----------|------------|----|-------------|
| Charge | -15°C(5°F) | to | 40°C(104°F) |
| Discharge | -15°C(5°F) | to | 50°C(122°F) |
| Storage | -15°C(5°F) | to | 40°C(104°F) |

Charge Retention (shelf life) at 20°C(68°F)

| | |
|---------|-----|
| 1 month | 92% |
| 3 month | 90% |
| 6 month | 80% |

Case Material

ABS UL94 HB
Option: Flammability resistance of (UL94 V-0)

Design Life

3-5 Years.

Terminal

F4



⚡ Dimensions

Length (L)

197±2-1 (7.76±0.08-0.04)

Width (W)

131±2-1 (5.16±0.08-0.04)

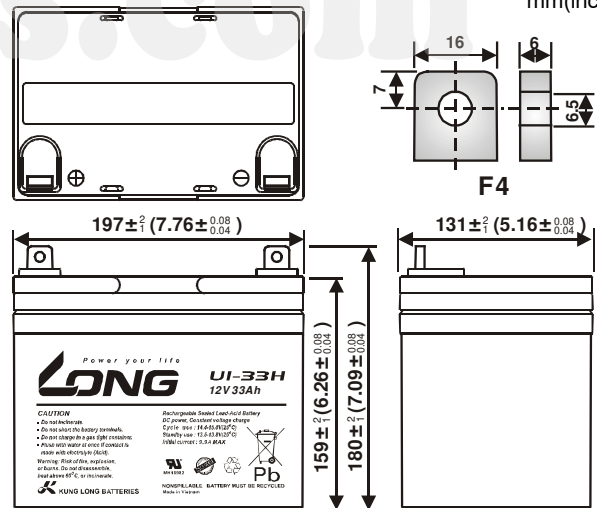
Height (H)

159±2-1 (6.26±0.08-0.04)

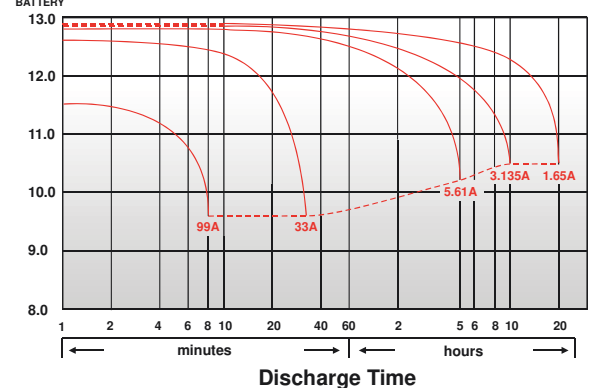
Overall Height (HT)

180±2-1 (7.09±0.08-0.04)

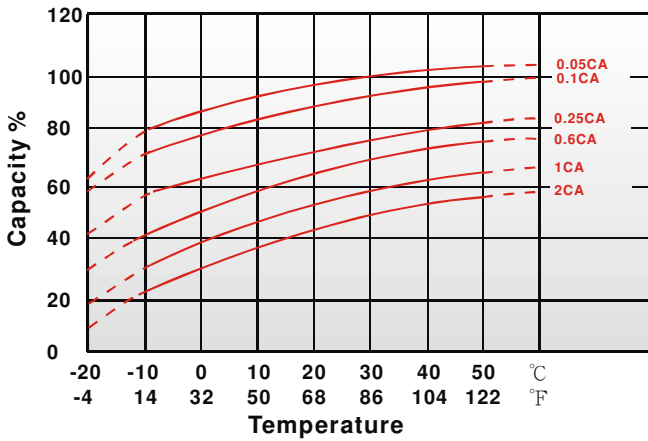
mm(inch)



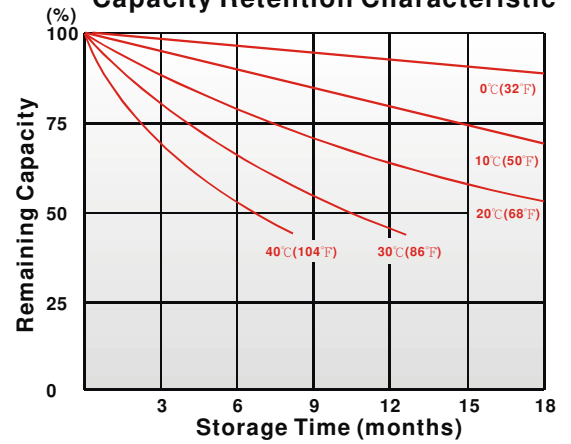
(V) FOR 12V BATTERY Discharge Time VS. Discharge Current (25°C)



Effect of Temperature on Capacity 25°C (77°F)

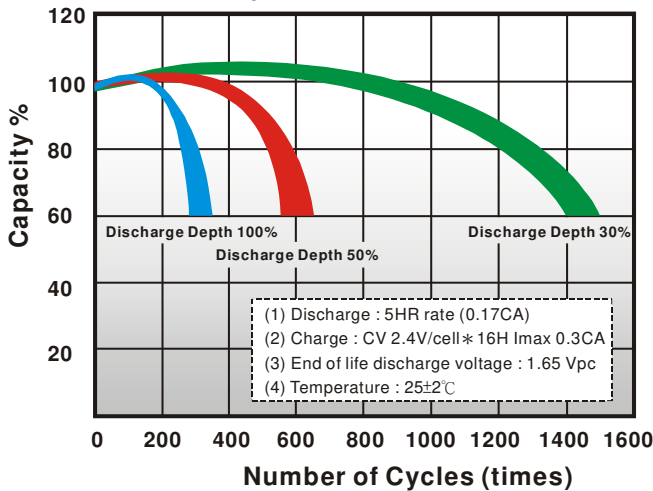


Capacity Retention Characteristic



baterias.com

Cycle Service Life



Trickle (or float) Service Life

