



12LSX-17

12V 17Ah

Design lifetime: 10 years



Q-Batteries 12LSX-17 is an AGM battery with extended design lifetime of 10 years. It is designed for stand-by applications such as emergency-lighting or UPS-systems.

Application:

burglar-systems, UPS-systems,
emergency-lighting-systems



Specification:

Voltage Per Unit	12 V		
Capacity	17 Ah (10 h)		
Cells Per Unit	6		
Weight	5.5 kg +/- 3%		
Max. Discharge Current	170 A (5 sec.)		
Short circuit current	850 A		
Operating Temperature Range	Discharge:	Charge:	Storage:
Normal	- 20°C – 60°C	-10°C – 60°C	- 20°C – 60°C

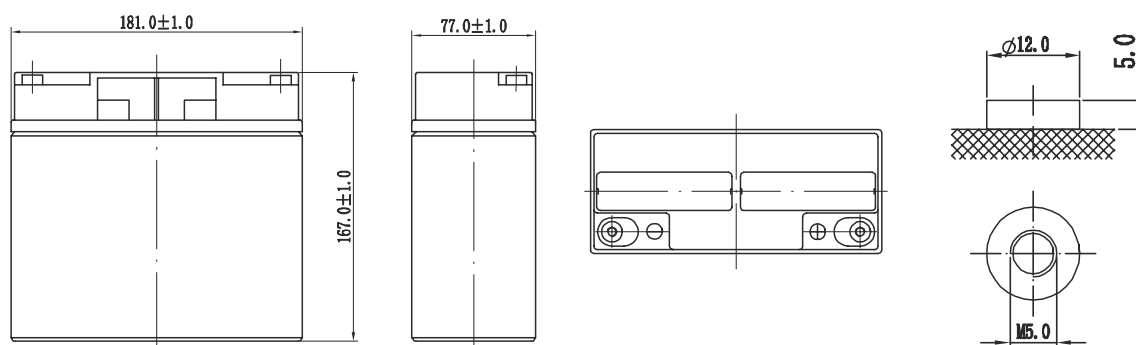
Self Discharge Valve Regulated Lead Acid (VRLA) batteries can be stored for more than 6 months at 25°C. Self-discharge ratio less than 3% per month at 25°C. Please charge batteries before using.

Terminal F13

Container Material A.B.S. (UL94-HB)

Dimensions:

181 mm Length x 77 mm Width x 167 mm Height



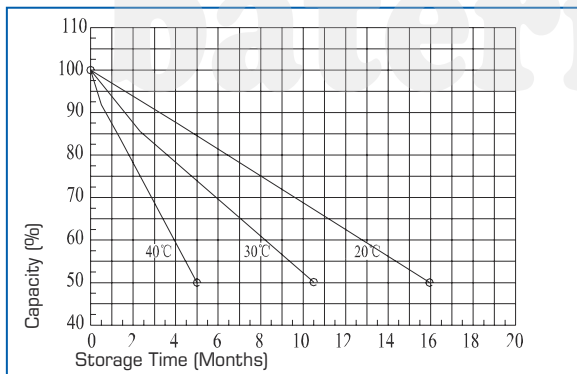
Constant current discharge characteristics: A (25°C)

F.V / Time	5 MIN	10 MIN	15 MIN	30 MIN	1 HR	3 HR	5 HR	10 HR	20 HR
1.60V	67.0	45.3	34.3	20.0	12.0	4.65	3.10	1.76	0.80
1.65V	64.9	44.2	34.0	19.6	11.8	4.57	3.05	1.75	0.79
1.70V	63.0	43.1	33.5	19.0	11.6	4.49	3.00	1.73	0.78
1.75V	60.1	41.9	32.0	18.7	11.3	4.40	2.94	1.72	0.77
1.80V	57.4	40.8	31.0	18.0	11.1	4.32	2.89	1.70	0.76

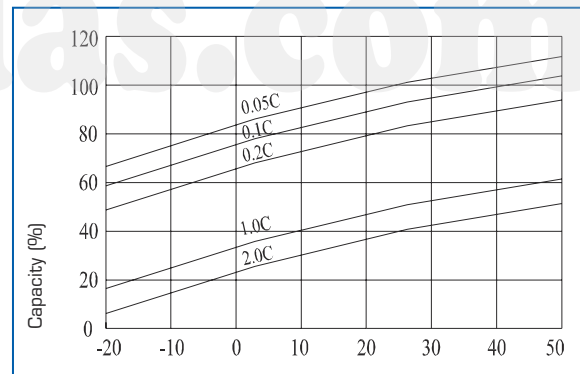
Constant current discharge characteristics: Watt (25°C)

F.V / Time	5 MIN	10 MIN	15 MIN	30 MIN	45 MIN	1 HR	2 HR	3 HR	5 HR
1.60V	117	79.0	60.0	36.0	27.4	22.0	12.7	9.10	6.16
1.65V	113	77.4	59.2	35.5	27.1	21.8	12.6	9.01	6.09
1.70V	110	75.8	58.5	35.0	26.7	21.5	12.4	8.90	6.01
1.75V	106	74.1	57.3	34.5	26.4	21.3	12.3	8.83	5.94
1.80V	102	72.5	56.0	34.0	26.0	21.0	12.2	8.74	5.92

Storage characteristic:



Capacity Factors with different Temperature:



Charging Method:

Charge the batteries at least once every six months, if they are stored at 25°C

Constant Voltage (V)
 $-0.2C \times 2h + 2.4-2.45V/Cell \times 24h$, max. Current 0.3CA

Constant Current (A)
 $-0.2C \times 2h + 0.1CA \times 12h$

Fast
 $-0.2C \times 2h + 0.3CA \times 4.0h$