

⚡ Specifications

Nominal Voltage(V)

12V

Nominal Capacity

| | | | | |
|--------------|--------|----|---------|---------|
| 20 hour rate | (1.7A | to | 10.50V) | 34Ah |
| 10 hour rate | (3.23A | to | 10.50V) | 32.3Ah |
| 5 hour rate | (5.78A | to | 10.20V) | 28.9Ah |
| 1 C | (34A | to | 9.60V) | 19.27Ah |
| 3 C | (102A | to | 9.60V) | 13.6Ah |

Weight

Approx. 10.5kg(23.1Lbs.)

Internal Resistance (at 1KHz)

Approx. 11 mΩ

Maximum Discharge Current for

5 seconds: 510A

Charging Methods at 25°C(77°F)

| | |
|----------------------------|----------------|
| Cycle use: | |
| Charging Voltage | 14.4 to 15.0V |
| Coefficient | -5.0mV/°C/cell |
| Maximum Charging Current : | 10.2A |
| Standby use: | |
| Float Charging Voltage | 13.5 to 13.8V |
| Coefficient | -3.0mV/°C/cell |

Operating Temperature Range

| | | | |
|-----------|------------|----|-------------|
| Charge | -15°C(5°F) | to | 40°C(104°F) |
| Discharge | -15°C(5°F) | to | 50°C(122°F) |
| Storage | -15°C(5°F) | to | 40°C(104°F) |

Charge Retention (shelf life) at 20°C(68°F)

| | |
|---------|-----|
| 1 month | 92% |
| 3 month | 90% |
| 6 month | 80% |

Case Material

ABS UL94 HB
Option: Flammability resistance of (UL94 V-0)

Design Life

3-5 Years.

Terminal

F4



⚡ Dimensions

Length (L)

197±2-1 (7.76±0.08-0.04)

Width (W)

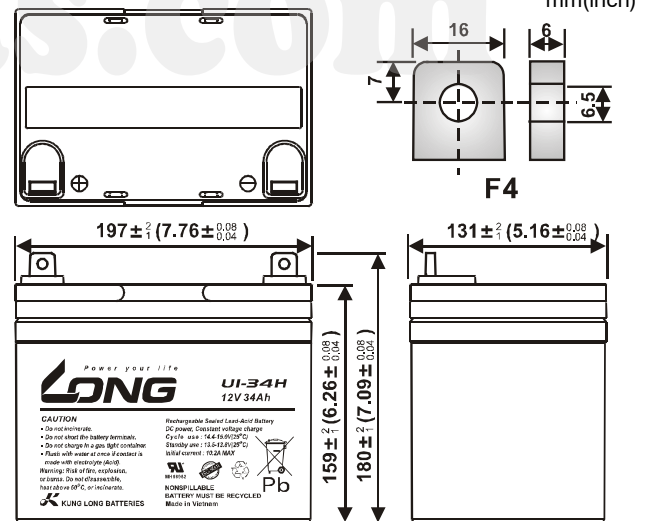
131±2-1 (5.16±0.08-0.04)

Height (H)

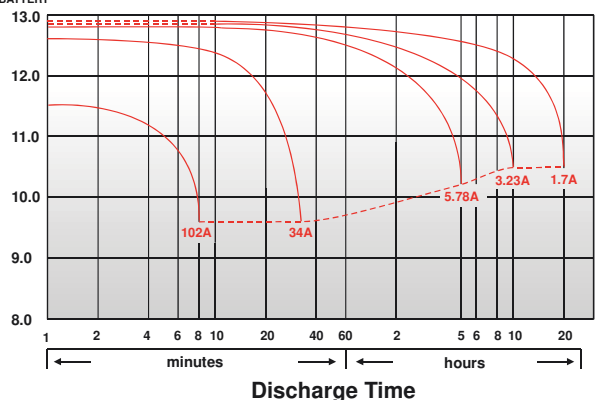
159±2-1 (6.26±0.08-0.04)

Overall Height (HT)

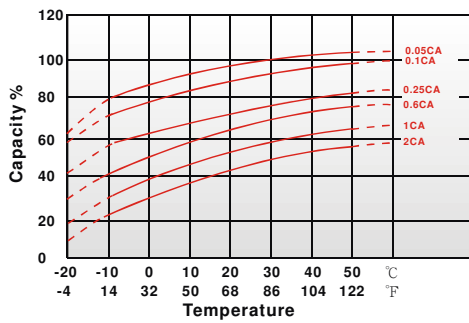
180±2-1 (7.09±0.08-0.04)



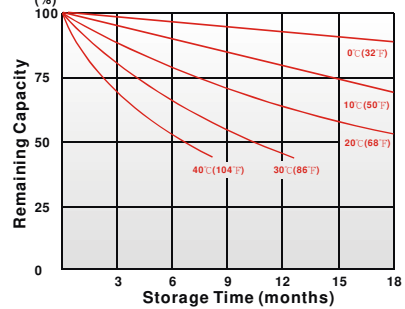
(V) FOR 12V BATTERY Discharge Time VS. Discharge Current (25°C)



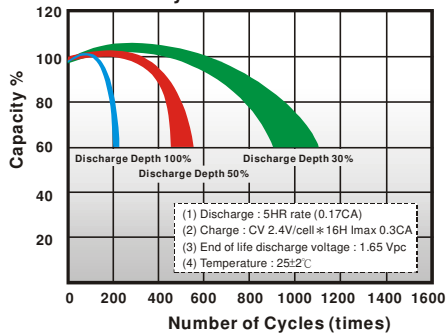
Effect of Temperature on Capacity 25°C(77°F)



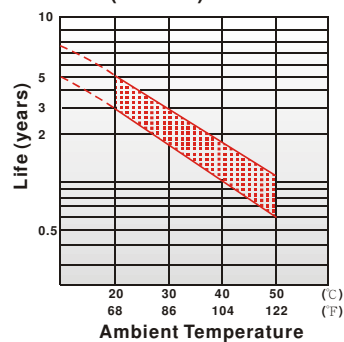
Capacity Retention Characteristic



Cycle Service Life



Trickle (or float) Service Life



- PERFORMANCE DATA

Discharge Rates in Watts to Various End Voltages at 25°C(77°F)

| End Voltage | | 1.85V | 1.80V | 1.75V | 1.70V | 1.67V | 1.65V | 1.60V |
|-------------|-----|-------|-------|-------|-------|-------|-------|-------|
| Time | | | | | | | | |
| 5 | min | 123 | 165 | 197 | 217 | 224 | 231 | 240 |
| 10 | min | 86.9 | 114 | 134 | 147 | 151 | 156 | 162 |
| 15 | min | 70.3 | 91.1 | 106 | 116 | 119 | 123 | 127 |
| 30 | min | 38.2 | 49.5 | 57.8 | 63.0 | 64.7 | 66.6 | 69.0 |
| 60 | min | 36.2 | 38.5 | 39.9 | 40.9 | 41.2 | 41.6 | 42.0 |
| 120 | min | 22.6 | 23.8 | 24.6 | 25.1 | 25.2 | 25.5 | 25.7 |
| 180 | min | 15.3 | 16.3 | 16.9 | 17.3 | 17.5 | 17.6 | 17.8 |
| 240 | min | 12.3 | 13.1 | 13.6 | 13.9 | 14.1 | 14.2 | 14.3 |
| 300 | min | 10.5 | 11.2 | 11.6 | 11.9 | 12.0 | 12.1 | 12.2 |
| 600 | min | 6.22 | 6.61 | 6.86 | 7.02 | 7.08 | 7.15 | 7.21 |
| 1200 | min | 3.26 | 3.47 | 3.60 | 3.68 | 3.72 | 3.75 | 3.78 |

- Discharge Rates in Amperes to Various End Voltages at 25°C(77°F)

| End Voltage | | 1.85V | 1.80V | 1.75V | 1.70V | 1.67V | 1.65V | 1.60V |
|-------------|-----|-------|-------|-------|-------|-------|-------|-------|
| Time | | | | | | | | |
| 5 | min | 88.7 | 109 | 123 | 132 | 135 | 139 | 143 |
| 10 | min | 61.5 | 71.4 | 77.5 | 81.8 | 83.7 | 86.2 | 89.3 |
| 15 | min | 51.2 | 58.6 | 63.4 | 66.1 | 66.9 | 67.8 | 69.2 |
| 30 | min | 29.6 | 33.5 | 35.1 | 36.4 | 36.8 | 37.3 | 37.9 |
| 60 | min | 17.7 | 19.0 | 19.9 | 20.6 | 20.8 | 21.1 | 21.4 |
| 120 | min | 10.6 | 11.4 | 11.9 | 12.3 | 12.4 | 12.6 | 12.8 |
| 180 | min | 7.86 | 8.37 | 8.73 | 8.99 | 9.06 | 9.14 | 9.27 |
| 240 | min | 5.91 | 6.35 | 6.73 | 6.92 | 6.97 | 7.04 | 7.15 |
| 300 | min | 5.38 | 5.66 | 5.82 | 5.95 | 6.00 | 6.06 | 6.14 |
| 600 | min | 3.11 | 3.23 | 3.33 | 3.42 | 3.45 | 3.48 | 3.52 |
| 1200 | min | 1.60 | 1.69 | 1.75 | 1.79 | 1.80 | 1.82 | 1.84 |

All data on the spec. sheet is an average value:

The tolerance range : X<6min(+15%~-15%), 6min ≤ X<10min(+12%~-12%), 10min ≤ X < 60min(+8%~-8%), X ≥ 60min(+5%~-5%)

150319-11