



M12260 SLD M

SPECIFICATIONS

Nominal Voltage (V) 12V

Nominal Capacity

20 hour rate (1.3A to 10.50V)	26Ah
10 hour rate (2.47A to 10.50V)	24.7Ah
5 hour rate (4.42A to 10.20V)	22.1Ah
1C (26A to 9.60V)	14.73Ah
3C (78A to 9.60V)	10.4Ah

Weight Approx. 20.46Lbs. (9.3kg)

Internal Resistance (at 1KHz) Approx. 11 mΩ

Maximum Discharge Current for 5 seconds : 390A

Operating Temperature Range

Charge	-15°C (5°F) to 40°C (104°F)
Discharge	-15°C (5°F) to 50°C (122°F)
Storage	-15°C (5°F) to 40°C (104°F)

Charge Retention (shelf life) at 20°C (68°F)

1 month	92%
3 months	90%
6 months	80%

Charging Methods at 25°C (77°F)

Cycle Use : Charging Voltage 14.4 to 15.0V
Maximum Charging Current : 7.8A
Coefficient -5.0mv / °C / cell

Standby Use : Float Charging Voltage 13.50 to 13.80V
Coefficient -3.0mv / °C / cell

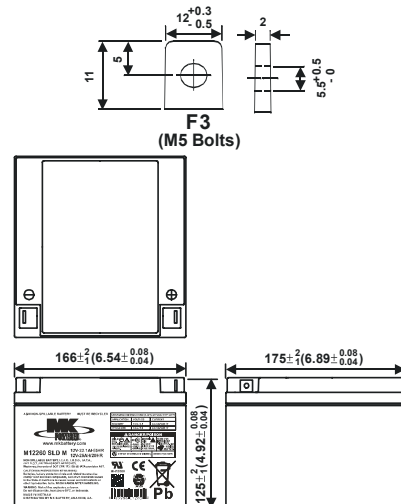
Case Material : ABS
(Option : UL94 HB Flame Retardant Case Material)

Terminal : F3

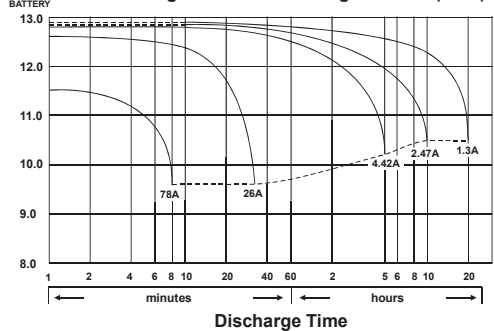
Maintenance-Free Rechargeable Sealed Lead-Acid Battery



DIMENSIONS



(V) FOR 12V BATTERY Discharge Time VS. Discharge Current (25°C)



MK Battery

1631 South Sinclair Street • Anaheim, California 92806

Toll Free: 800-372-9253 • Fax: 714-937-0818 • E-mail: sales@mkbattery.com

