



12LCP-56

12V 56 Ah



Q-Batteries Akku 12LCP-56 battery is a special deep cycle battery which is designed for intensive cyclic discharge usage. Because of the very thick lead plates it's possible to achieve more cycles and longer lifetime.

Application:

Electric wheelchair, caravan/marine, cleaning machines, golf cart, vehicle lifts, solar energy system, u.v.m.

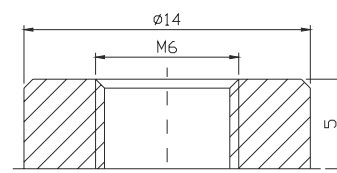
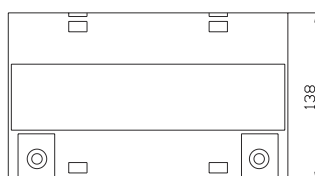
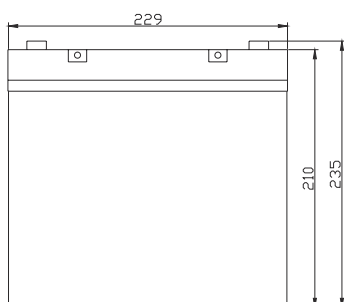


Specification:

| | | | |
|------------------------------------|---|-----------------------------------|-----------------------|
| Voltage Per Unit | 12 V | | |
| Capacity | 56 Ah | @20hr-rate to 1.8V per cell @25°C | |
| Cells Per Unit | 6 | | |
| Weight | ca. 18 kg +/- 3% | | |
| Max. Discharge Current | 550 A (5 sec.) | | |
| Internal Resistance | ca. 6 m Ω | | |
| Operating Temperature Range Normal | Discharge: -15°C – 50°C | Charge: -10°C – 50°C | Storage: -20°C – 50°C |
| Operating Temperature Range | 25°C ± 5°C | | |
| Self Discharge | Valve Regulated Lead Acid (VRLA) batteries can be stored for more than 6 months at 25°C. Self-discharge ratio less than 3% per month at 25°C. Please charge batteries before using. | | |
| Terminal | F11 (M6) | | |
| Container Material | A.B.S. (UL94-HB) | | |

Dimensions:

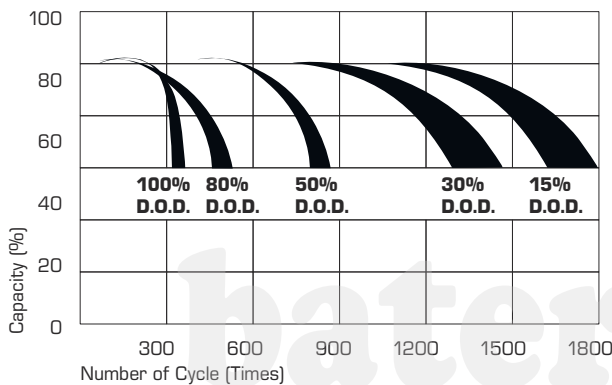
229 Length x 138 Width x 210 mm Height



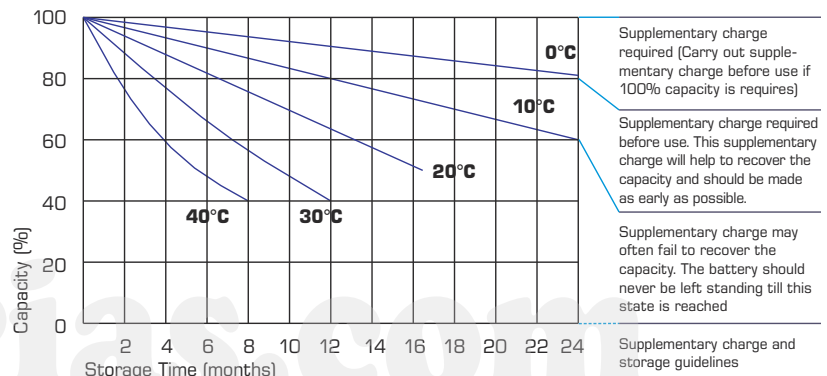
Constant current discharge characteristics: A (25°C)

| FV/Time | 5 Min. | 10 Min. | 15 Min. | 30 Min. | 1 HR | 2 HR | 3 HR | 4 HR | 5 HR | 8 HR | 10 HR | 20 HR |
|---------|--------|---------|---------|---------|-------|-------|-------|-------|-------|-------|-------|-------|
| 9.60 V | 180.6 | 133.0 | 103.7 | 63.17 | 35.04 | 20.95 | 14.47 | 11.98 | 10.09 | 6.892 | 5.717 | 3.050 |
| 10.0 V | 175.4 | 126.5 | 101.5 | 62.08 | 34.87 | 20.79 | 14.41 | 11.93 | 10.03 | 6.836 | 5.662 | 2.995 |
| 10.2 V | 170.2 | 122.1 | 99.93 | 60.93 | 34.55 | 20.64 | 14.30 | 11.87 | 9.97 | 6.780 | 5.607 | 2.939 |
| 10.5 V | 152.8 | 112.6 | 95.15 | 60.47 | 34.23 | 20.48 | 14.25 | 11.76 | 9.85 | 6.724 | 5.552 | 2.884 |
| 10.8 V | 137.9 | 102.7 | 87.71 | 59.43 | 33.42 | 20.11 | 13.86 | 11.49 | 9.675 | 6.612 | 5.497 | 2.828 |
| 11.1 V | 117.8 | 91.8 | 78.67 | 55.64 | 31.75 | 19.22 | 13.25 | 10.93 | 9.259 | 6.332 | 5.332 | 2.662 |

Life characteristics of cyclic use:



Storage characteristic:



Capacity Factors with different Temperature:

| Battery Type | | -20°C | -10°C | 0°C | 5°C | 10°C | 20°C | 25°C | 30°C | 40°C | 45°C |
|--------------|----------|-------|-------|-----|-----|------|------|------|------|------|------|
| GEL Battery | 6V & 12V | 50% | 70% | 83% | 85% | 90% | 98% | 100% | 102% | 104% | 105% |
| | 2V | 60% | 75% | 85% | 88% | 92% | 99% | 100% | 103% | 105% | 106% |
| AGM Battery | 6V & 12V | 46% | 66% | 76% | 83% | 90% | 98% | 100% | 103% | 107% | 109% |
| | 2V | 55% | 70% | 80% | 85% | 92% | 99% | 100% | 104% | 108% | 110% |

Charging Method:

Charge the batteries at least once every six months, if they are stored at 25°C

| | |
|----------------------|---|
| Constant Voltage (V) | -0.2C x 2h + 2.4-2.45V/Cell x 24h, max. Current 0.3CA |
| Constant Current (A) | -0.2C x 2h + 0.1CA x 12h |
| Fast | -0.2C x 2h + 0.3CA x 4.0h |