



# HC64X

## SPECIFICATIONS

**HC series** is especially used for engine starting, which requires superior cranking performance at lower temperatures, for high current discharge.

### BATTERY DESIGN

- Absorbent glass mat (AGM) technology
- 12V battery VRLA
- Rugged construction
- Can be mounted in any orientation except inverted.
- US DOT and IATA certified non-spillable
- Sealed Construction (Non-Spillable Battery)
- Superior starting power
- Can be mounted inside passenger compartments
- Shipped fully charged - just install and go!

### PERFORMANCE FEATURES

- PHCA: 1400A at 80°F (27°C); for 5 seconds
- PCCA: 850A at 0°F (-18°C); for 5 seconds
- CCA: 750A at 0°F (-18°C)
- CA/MCA: 900A at 32°F (0°C)
- HCA: 1080A at 80°F (27°C)
- Reserve capacity: 120 minutes
- Short circuit current: 2000A
- Operation temperature range: -5°F (-15°C) to 122°F (50°C)

### Nominal Dimensions

Length		Width		Height		Total Height		Weight	
mm	in	mm	in	mm	in	mm	in	kg	pound
240.3	9.46	168.7	6.64	202	7.95	220	8.64	22.30	49.16

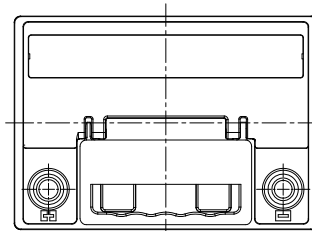
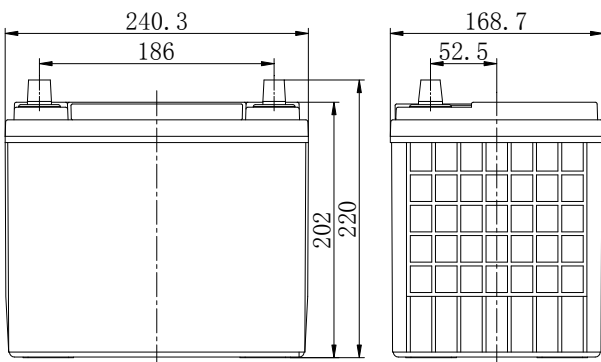
### HIGH RATE DISCHARGE AT 77°F (25°C)

5 sec.	10 sec.	15 sec.	20 sec.
1400A	1280A	1170A	1100A

### EXTENDED DISCHARGE AT 77°F (25°C) TO 10.02V

5min	15min	1hr	3hr	5hr	10hr	20hr
285A	125A	38A	17.5A	11A	6.2A	3.4A

### PHYSICAL CHARACTERISTICS



### Terminal Type: AP

