



12LCP-56

12V 56 Ah



Q-Batteries Akku 12LCP-56 battery is a special deep cycle battery which is designed for intensive cyclic discharge usage. Because of the very thick lead plates it's possible to achieve more cycles and longer lifetime.

Application:

Electric wheelchair, caravan/marine, cleaning machines, golf cart, vehicle lifts, solar energy system, u.v.m.

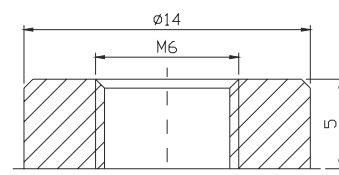
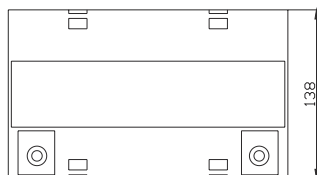
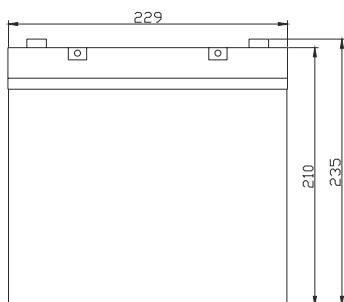


Specification:

Voltage Per Unit	12 V		
Capacity	56 Ah	@20hr-rate to 1.8V per cell @25°C	
Cells Per Unit	6		
Weight	ca. 18 kg +/- 3%		
Max. Discharge Current	550 A (5 sec.)		
Internal Resistance	ca. 6 m Ω		
Operating Temperature Range Normal	Discharge: - 15°C – 50°C	Charge: -10°C – 50°C	Storage: - 20°C – 50°C
Operating Temperature Range	25°C ± 5°C		
Self Discharge	Valve Regulated Lead Acid (VRLA) batteries can be stored for more than 6 months at 25°C. Self-discharge ratio less than 3% per month at 25°C. Please charge batteries before using.		
Terminal	F11 (M6)		
Container Material	A.B.S. (UL94-HB)		

Dimensions:

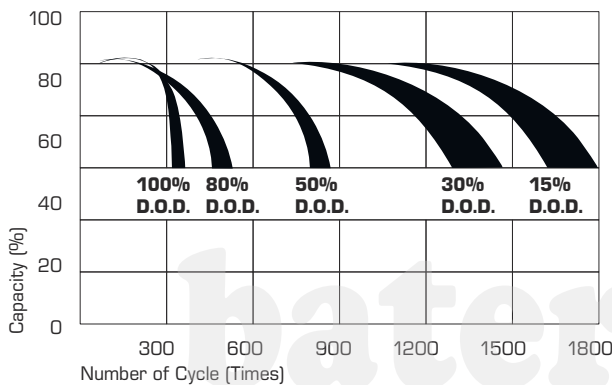
229 Length x 138 Width x 210 mm Height



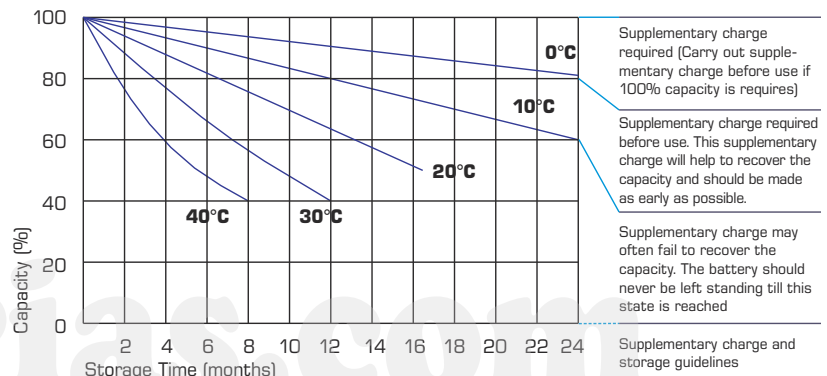
Constant current discharge characteristics: A (25°C)

FV/Time	5 Min.	10 Min.	15 Min.	30 Min.	1 HR	2 HR	3 HR	4 HR	5 HR	8 HR	10 HR	20 HR
9.60 V	180.6	133.0	103.7	63.17	35.04	20.95	14.47	11.98	10.09	6.892	5.717	3.050
10.0 V	175.4	126.5	101.5	62.08	34.87	20.79	14.41	11.93	10.03	6.836	5.662	2.995
10.2 V	170.2	122.1	99.93	60.93	34.55	20.64	14.30	11.87	9.97	6.780	5.607	2.939
10.5 V	152.8	112.6	95.15	60.47	34.23	20.48	14.25	11.76	9.85	6.724	5.552	2.884
10.8 V	137.9	102.7	87.71	59.43	33.42	20.11	13.86	11.49	9.675	6.612	5.497	2.828
11.1 V	117.8	91.8	78.67	55.64	31.75	19.22	13.25	10.93	9.259	6.332	5.332	2.662

Life characteristics of cyclic use:



Storage characteristic:



Capacity Factors with different Temperature:

Battery Type		-20°C	-10°C	0°C	5°C	10°C	20°C	25°C	30°C	40°C	45°C
GEL Battery	6V & 12V	50%	70%	83%	85%	90%	98%	100%	102%	104%	105%
	2V	60%	75%	85%	88%	92%	99%	100%	103%	105%	106%
AGM Battery	6V & 12V	46%	66%	76%	83%	90%	98%	100%	103%	107%	109%
	2V	55%	70%	80%	85%	92%	99%	100%	104%	108%	110%

Charging Method:

Charge the batteries at least once every six months, if they are stored at 25°C

Constant Voltage (V)	-0.2C x 2h + 2.4-2.45V/Cell x 24h, max. Current 0.3CA
Constant Current (A)	-0.2C x 2h + 0.1CA x 12h
Fast	-0.2C x 2h + 0.3CA x 4.0h