



## 12LCP-9

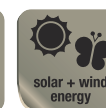
12V 9Ah



Q-Batteries Akku 12LCP-9 battery is a special deep cycle battery which is designed for intensive cyclic discharge usage. Because of the very thick lead plates it's possible to achieve more cycles and longer lifetime.

### Application:

Electric wheelchair, caravan/marine, cleaning machines, golf cart, vehicle lifts, solar energy system, u.v.m.

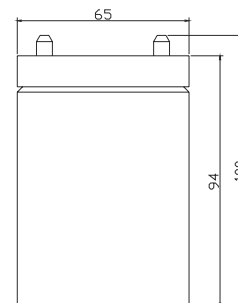
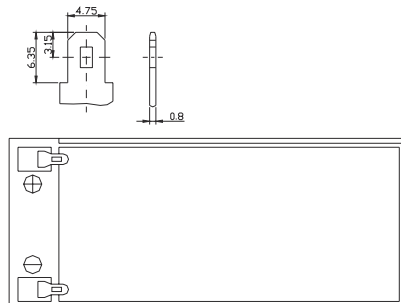
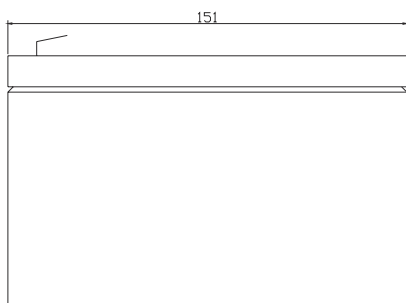


### Specification:

Voltage Per Unit	12 V		
Capacity	9 Ah	@20hr-rate to 1.8V per cell @25°C	
Cells Per Unit	6		
Weight	ca. 2.55 kg +/- 3%		
Max. Discharge Current	80 A (5 sec.)		
Internal Resistance	ca. 18 m Ω		
Operating Temperature Range Normal	Discharge: - 15°C – 50°C	Charge: - 10°C – 50°C	Storage: - 20°C – 50°C
Operating Temperature Range	25°C ± 5°C		
Self Discharge	Valve Regulated Lead Acid (VRLA) batteries can be stored for more than 6 months at 25°C. Self-discharge ratio less than 3% per month at 25°C. Please charge batteries before using.		
Terminal	F1/F2 (Faston 4,75mm/6,35mm)		
Container Material	A.B.S. (UL94-HB)		

### Dimensions:

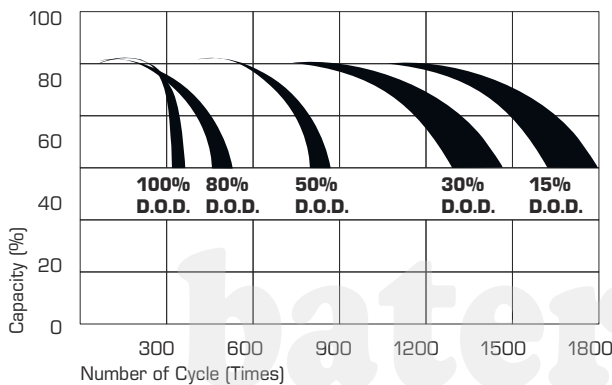
151 Length x 65 Width x 94 mm Height



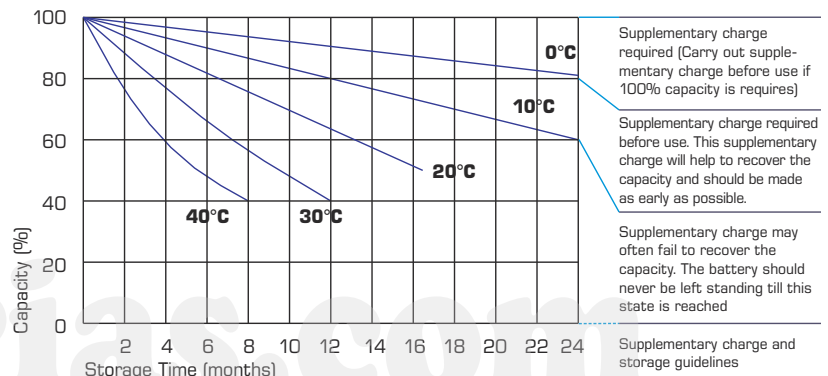
## Constant current discharge characteristics: A (25°C)

F.V/Time	5 Min.	10 Min.	15 Min.	30 Min.	1 HR	2 HR	3 HR	4 HR	5 HR	8 HR	10 HR	20 HR
9.60 V	36.05	23.63	18.53	10.40	6.179	3.559	2.418	1.935	1.607	1.024	0.886	0.486
10.0 V	34.74	23.04	17.93	10.27	6.010	3.487	2.374	1.908	1.580	1.019	0.877	0.479
10.2 V	32.70	21.90	17.43	10.11	5.954	3.450	2.353	1.890	1.563	1.010	0.864	0.471
10.5 V	29.40	20.48	16.44	9.830	5.837	3.405	2.332	1.871	1.544	1.001	0.859	0.450
10.8 V	26.34	19.10	15.51	9.506	5.731	3.377	2.304	1.862	1.528	0.997	0.845	0.430
11.1 V	23.04	17.51	14.31	9.144	5.577	3.241	2.259	1.846	1.512	0.989	0.832	0.423

## Life characteristics of cyclic use



## Storage characteristic



## Capacity Factors with different Temperature

Battery Type		-20°C	-10°C	0°C	5°C	10°C	20°C	25°C	30°C	40°C	45°C
GEL Battery	6V & 12V	50%	70%	83%	85%	90%	98%	100%	102%	104%	105%
	2V	60%	75%	85%	88%	92%	99%	100%	103%	105%	106%
AGM Battery	6V & 12V	46%	66%	76%	83%	90%	98%	100%	103%	107%	109%
	2V	55%	70%	80%	85%	92%	99%	100%	104%	108%	110%

## Charging Method

Charge the batteries at least once every six months, if they are stored at 25°C

Constant Voltage (V)	-0.2C x 2h + 2.4-2.45V/Cell x 24h, max. Current 0.3CA
Constant Current (A)	-0.2C x 2h + 0.1CA x 12h
Fast	-0.2C x 2h + 0.3CA x 4.0h