



HC8 SPECIFICATIONS

HC series is especially used for engine starting, which requires superior cranking performance at lower temperatures, for high current discharge.

BATTERY DESIGN

- Absorbent glass mat (AGM) technology
- 12V battery VRLA
- Can be mounted in any orientation except inverted.
- US DOT and IATA certified non-spillable
- Sealed Construction (Non-Spillable Battery)
- Can be fitted with TP brass automotive adaptor
- Shipped fully charged - just install and go!
- Reliable, versatile, high performance power - the extreme battery for extreme sports.

PERFORMANCE FEATURES

- ✧ PHCA: 310A at 80°F (27°C) for 5 seconds
- ✧ PCCA: 160A at 0°F (-18°C) for 5 seconds
- ✧ CCA: 100A at 0°F (-18°C)
- ✧ CA/MCA: 155A at 32°F (0°C)
- ✧ HCA: 200A at 80°F (27°C)
- ✧ Reserve capacity: 8 minutes
- ✧ Short circuit current: 450A
- ✧ Terminal hardware torque: 50-70 lbs-in
- ✧ Operation temperature range: -5°F (-15°C) to 122°F (50°C)

Nominal Dimensions

Length		Width		Height		Total Height		Weight	
mm	in	mm	in	mm	in	mm	in	kg	pound
138	5.43	86	3.38	101.6	4.00	101.6	4.00	3.0	6.61

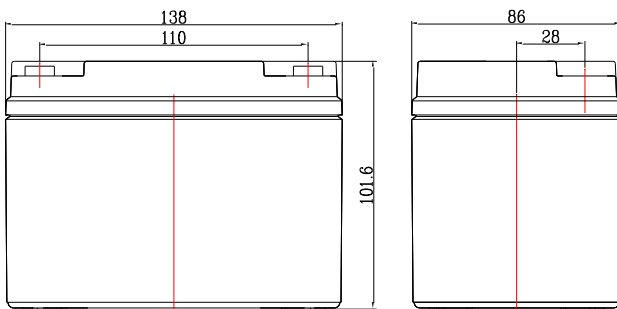
HIGH RATE DISCHARGE AT 77°F (25°C) TO 7.2V

5 sec.	10 sec.	15 sec.	20 sec.
310A	250A	240A	225A

EXTENDED DISCHARGE AT 77°F (25°C) TO 10.02V

5min	15min	1hr	3hr	5hr	10hr	20hr
40A	17.5A	5.6A	2.3A	1.4A	0.8A	0.42A

PHYSICAL CHARACTERISTICS



Terminal:M6

