



ES2.9-12

SPECIFICATIONS

Nominal Voltage (V) 12V

Nominal Capacity

20 hour rate (0.145A to 10.50V)	2.9Ah
10 hour rate (0.276A to 10.50V)	2.755Ah
5 hour rate (0.493A to 10.20V)	2.465Ah
1C (2.9A to 9.60V)	1.643Ah
3C (8.7A to 9.60V)	1.16Ah

Weight Approx. 2.62Lbs. (1.19kg)

Internal Resistance (at 1KHz) Approx. 33 mΩ

Maximum Discharge Current for 5 seconds : 43.5A

Operating Temperature Range

Charge	-15°C (5°F) to 40°C (104°F)
Discharge	-15°C (5°F) to 50°C (122°F)
Storage	-15°C (5°F) to 40°C (104°F)

Charge Retention (shelf life) at 20°C (68°F)

1 month	92%
3 months	90%
6 months	80%

Charging Methods at 25°C (77°F)

Cycle Use : Charging Voltage 14.4 to 15.0V
Coefficient -5.0mv / °C / cell
Maximum Charging Current : 0.87A

Standby Use : Float Charging Voltage 13.50 to 13.80V
Coefficient -3.0mv / °C / cell

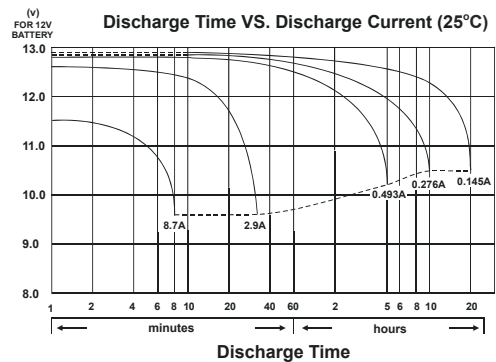
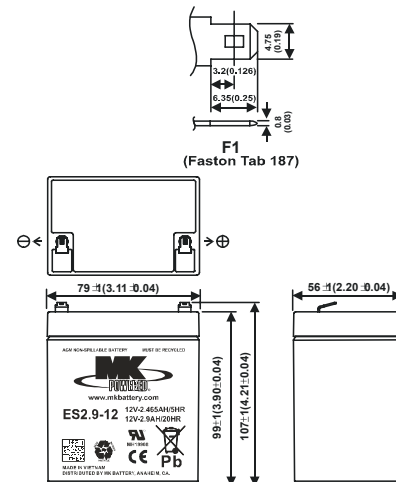
Case Material : ABS
(Option : UL94 HB Flame Retardant Case Material)

Terminal : F1

Maintenance-Free Rechargeable Sealed Lead-Acid Battery



DIMENSIONS



MK Battery

1631 South Sinclair Street • Anaheim, California 92806

Toll Free: 800-372-9253 • Fax: 714-937-0818 • E-mail: sales@mkbattery.com

