



ES33-12

SPECIFICATIONS

Nominal Voltage (V) 12V

Nominal Capacity

20 hour rate (1.75A to 10.50V)	35Ah
10 hour rate (3.325A to 10.50V)	33.25Ah
5 hour rate (5.95A to 10.20V)	29.75Ah
1C (35A to 9.60V)	18.67Ah
3C (105A to 9.60V)	12.25Ah

Weight Approx. 23.1Lbs. (10.5kg)

Internal Resistance (at 1KHz) Approx. 10 mΩ

Maximum Discharge Current for 5 seconds : 525A

Operating Temperature Range

Charge	-15°C (5°F) to 40°C (104°F)
Discharge	-15°C (5°F) to 50°C (122°F)
Storage	-15°C (5°F) to 40°C (104°F)

Charge Retention (shelf life) at 20°C (68°F)

1 month	92%
3 months	90%
6 months	80%

Charging Methods at 25°C (77°F)

Cycle Use : Charging Voltage 14.4 to 15.0V
Coefficient -5.0mv / °C / cell
Maximum Charging Current : 10.5A

Standby Use : Float Charging Voltage 13.50 to 13.80V
Coefficient -3.0mv / °C / cell

Case Material : ABS
(Option : UL94 HB Flame Retardant Case Material)

Terminal : F4

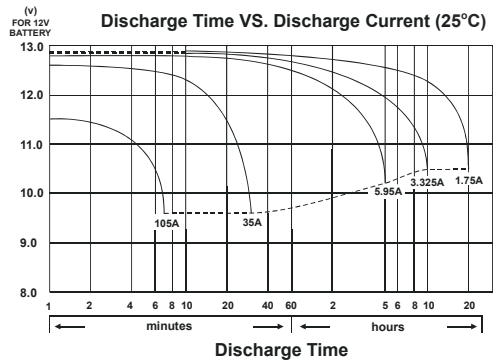
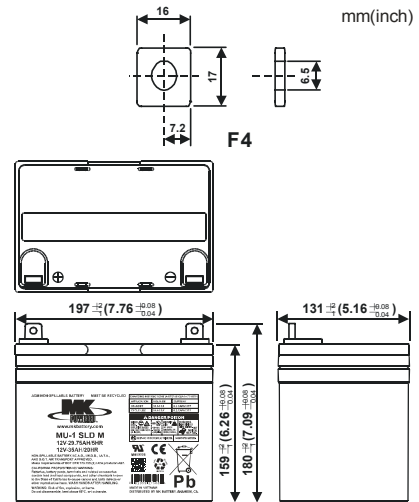
Terminal Hardware Torque Value :

Recommended	5.39 Nm (55kg-cm)
Maximum Allowable	8.82 Nm (90kg-cm)

Maintenance-Free Rechargeable Sealed Lead-Acid Battery



DIMENSIONS



MK Battery

1631 South Sinclair Street • Anaheim, California 92806

Toll Free: 800-372-9253 • Fax: 714-937-0818 • E-mail: sales@mkbattery.com

