



ES9-4

SPECIFICATIONS

Nominal Voltage (V) 4V

Nominal Capacity

20 hour rate (0.45A to 3.5V)	9Ah
10 hour rate (0.855A to 3.5V)	8.55Ah
5 hour rate (1.53A to 3.4V)	7.65Ah
1C (9A to 3.2V)	5.1Ah
3C (27A to 3.2V)	3.6Ah

Weight Approx. 2.43Lbs. (1.10kg)

Internal Resistance (at 1KHz) 18 mΩ

Maximum Discharge Current for 5 seconds : 90A

Operating Temperature Range

Charge	0°C (32°F) to 50°C (122°F)
Discharge	-20°C (68°F) to 60°C (140°F)
Storage	-20°C (68°F) to 60°C (140°F)

Charging Methods at 25°C (77°F)

Cycle Use : Charging Voltage 4.8 to 5.0V
Coefficient -5.0mv / °C / cell
Maximum Charging Current : 2.7A

Standby Use : Float Charging Voltage 4.5 to 4.6V
Coefficient -3.0mv / °C / cell

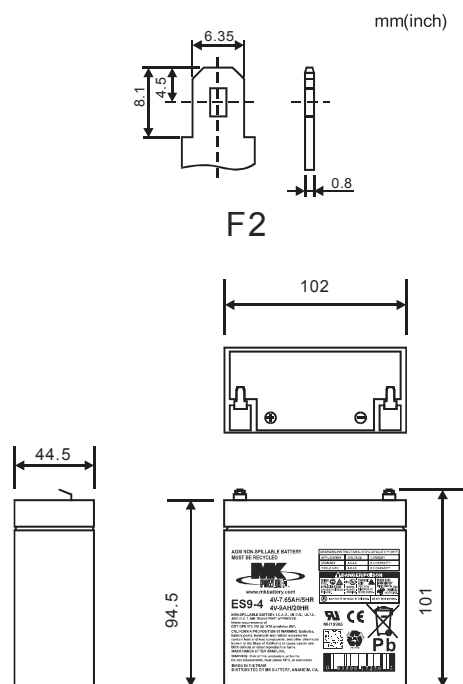
Case Material : ABS
(Option : UL94 HB Flame Retardant Case Material)

Terminal : F2

Maintenance-Free Rechargeable Sealed Lead-Acid Battery



DIMENSIONS



MK Battery

1631 South Sinclair Street • Anaheim, California 92806

Toll Free: 800-372-9253 • Fax: 714-937-0818 • E-mail: sales@mkbattery.com

